

HOLDERS Covered concrete square bottom

B641596

**uchwyt w tworzywie
bez betonu**



WERSJA MATERIAŁOWA:

plastic

OPIS:

!!! ATTENTION!!!

The holder is made of PP (polypropylene), which is not suitable for gluing.

Plastic holder with a square bottom for routing a round conductor on flat roofs.

PURPOSE: flat roofs covered with roofing felt.

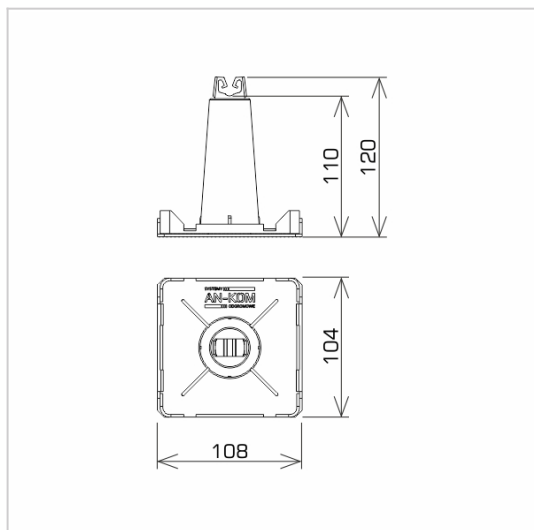
ASSEMBLING THE BOTTOM:

ROOFING FELT, MEMBRANE

- strip welding

(100mm x 200mm)

plastic



symbol	B641596
typ	AN-12P-N
conductor(mm)	Ø8
wersja materiałowa	plastic



AN-KOM 2 Sp. z o.o.
 Inwałd, ul. ks. Władysława
 Bukowińskiego 15
 34-120 Andrychów



an-kom.pl
 sales@an-kom.pl



tel./fax
 +48 605 527 132