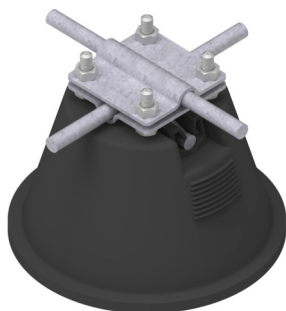


HOLDERS Covered concrete with a clamp

B931520



WERSJA MATERIAŁOWA:

plastic/concrete

OPIS:

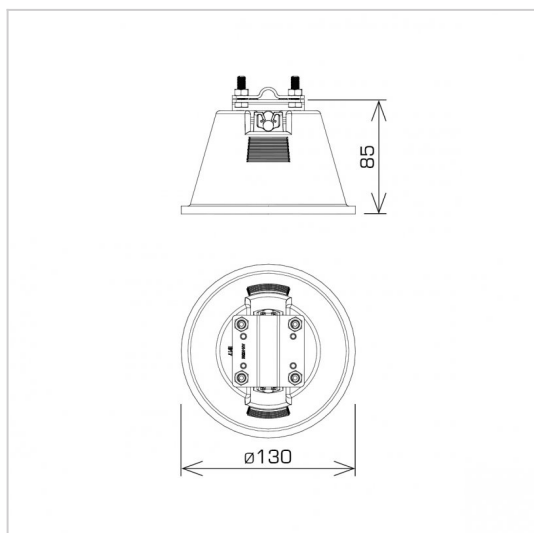
Concrete holder in plastic with a plastic bottom is used to build an air terminal grid on flat roofs. Made of polypropylene - PP (frost resistant) with additives protecting against UV radiation. The bottom of the holder is made of ABS plastic which enables gluing the bracket to the roofing. The support is filled with a frost-resistant cement mortar.

PURPOSE: roofs covered with membrane or roofing felt

ASSEMBLY:

- gluing to roofing felt - with adhesive, e.g. **N828540**
- gluing to the membrane type roofing - with the adhesive recommended by the membrane manufacturer or, after consultation with the roofing manufacturer, with the adhesive for PVC membranes with the symbol **N828576**

BOTTOM: plastic



symbol	B931520
typ	AN-11L
conductor(mm)	Ø8
weight(kg)	~ 1
wersja materiałowa	plastic/concrete



AN-KOM 2 Sp. z o.o.
Inwałd, ul. ks. Władysława
Bukowińskiego 15
34-120 Andrychów



an-kom.pl
sales@an-kom.pl



tel./fax
+48 605 527 132