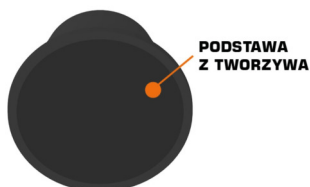


**HOLDERS Covered concrete assembly conductor bed holder**

**B931592**



**WERSJA MATERIAŁOWA:**

plastic/concrete

**OPIS:**

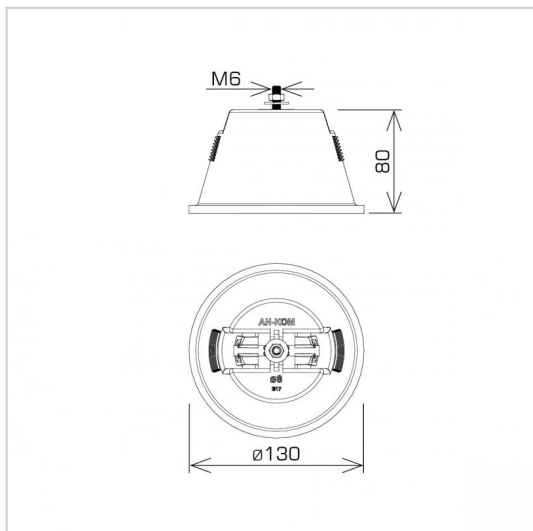
Concrete holder in plastic with a plastic base is used for mounting conductor trays on flat roofs. Made of polypropylene – PP (frost resistant) with additives protecting against UV radiation. The base of the bracket is made of ABS plastic which enables gluing the bracket to the roofing. The support is filled with a frost-resistant cement mortar.

**PURPOSE:** roofs covered with membrane or roofing felt

**INSTALLATION:**

- gluing to roofing felt - with adhesive mass, e.g. **N828540**
- gluing to the membrane type roofing - with the adhesive recommended by the membrane manufacturer or after agreement with the roofing manufacturer with the adhesive for PVC membranes with the symbol **N828576**

**BOTTOM:** plastic



<b>symbol</b>	<b>B931592</b>
typ	AN-12L-N
<b>weight(kg)</b>	~ 1
<b>wersja materiałowa</b>	plastic/concrete



**AN-KOM 2 Sp. z o.o.**  
 Inwałd, ul. ks. Władysława  
 Bukowińskiego 15  
 34-120 Andrychów



**an-kom.pl**  
**sales@an-kom.pl**



tel./fax  
**+48 605 527 132**