

HOLDERS Covered concrete concrete holder with a cap

B951512



WERSJA MATERIAŁOWA:

concrete/steel

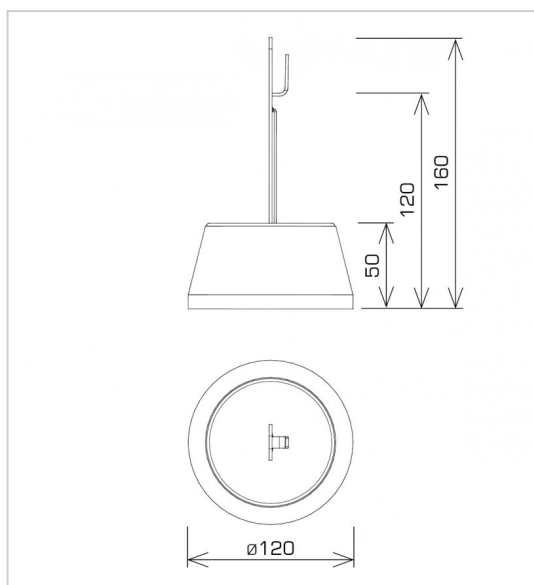
OPIS:

PURPOSE: flat roofs covered with roofing felt

ASSEMBLY:

- gluing to the roofing - with an adhesive mass, e.g. **N828540**

BOTTOM: concrete



symbol	B951512
typ	AN-11H
conductor(mm)	Ø8
weight(kg)	~ 1
wersja materiałowa	concrete/steel



AN-KOM 2 Sp. z o.o.
 Inwałd, ul. ks. Władysława
 Bukowińskiego 15
 34-120 Andrychów



an-kom.pl
 sales@an-kom.pl



tel./fax
 +48 605 527 132