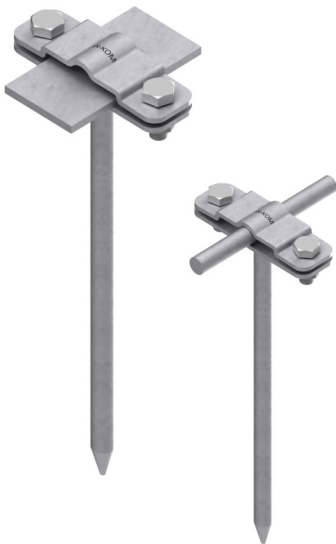


**HOLDERS TAPE CONDUCTOR hammered**

**C192296**



**WERSJA MATERIAŁOWA:**

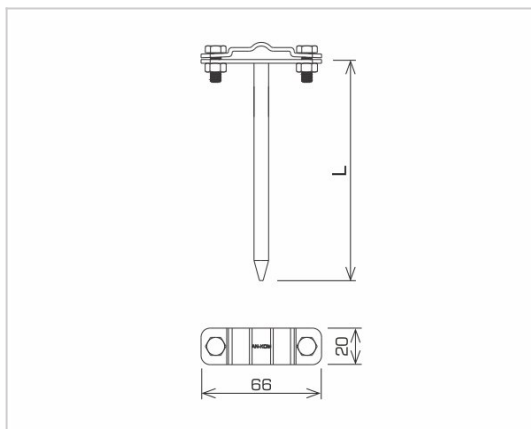
hot galvanised steel

**OPIS:**

For routing flat conductors (tape conductor holder) along the wall or foundation. The holder designed for wooden constructions. Installation is done by hammering the handle into the ground.

\*B - maximum tape conductor holder width

The holder is also used to mount the round conductor.



<b>symbol</b> typ	<b>C192296</b> AN-35A/OG/
<b>L(mm)</b>	210
<b>conductor(mm)</b>	B* to 30 or Ø8
<b>wersja materiałowa</b>	hot galvanised steel



AN-KOM 2 Sp. z o.o.  
 Inwałd, ul. ks. Władysława  
 Bukowińskiego 15  
 34-120 Andrychów



an-kom.pl  
 sales@an-kom.pl



tel./fax  
 +48 605 527 132