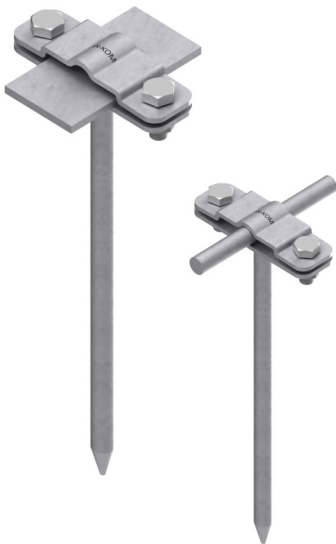


HOLDERS TAPE CONDUCTOR hammered

C192304



WERSJA MATERIAŁOWA:

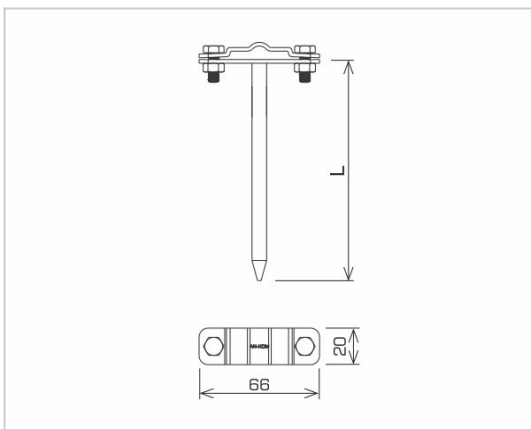
hot galvanised steel

OPIS:

For routing flat conductors (tape conductor holder) along the wall or foundation. The holder designed for wooden constructions. Installation is done by hammering the handle into the ground.

*B - maximum tape conductor holder width

The holder is also used to mount the round conductor.



symbol typ	C192304 AN-36A/OG/
L(mm)	250
conductor(mm)	B* to 30 or Ø8
wersja materiałowa	hot galvanised steel



AN-KOM 2 Sp. z o.o.
Inwałd, ul. ks. Władysława
Bukowińskiego 15
34-120 Andrychów



an-kom.pl
sales@an-kom.pl



tel./fax
+48 605 527 132