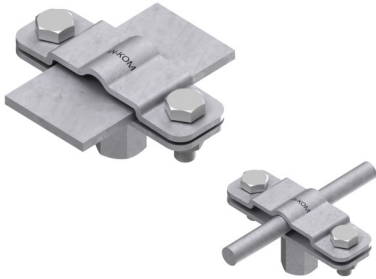


HOLDERS TAPE CONDUCTOR screw-on

C192408



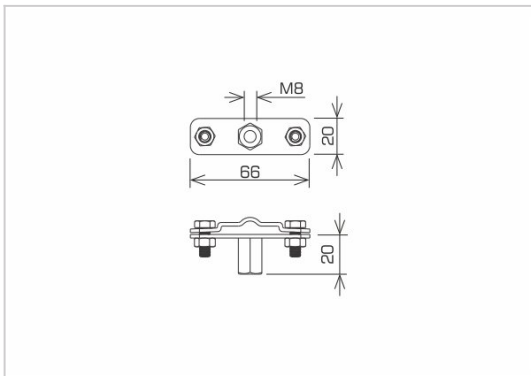
WERSJA MATERIAŁOWA:

hot galvanised steel

OPIS:

For routing flat conductors (tape conductor holder) along the wall or foundation. The handle ended with an M8 internal thread.

*B - maximum tape conductor holder width



symbol typ	C192408 AN-57/OG/
conductor(mm)	B* to 30 or Ø8
wersja materiałowa	hot galvanised steel



AN-KOM 2 Sp. z o.o.
Inwałd, ul. ks. Władysława
Bukowińskiego 15
34-120 Andrychów



an-kom.pl
sales@an-kom.pl



tel./fax
+48 605 527 132