

HOLDERS FOR SHEET, FELT, SHINGLE standing seam holder

C192568

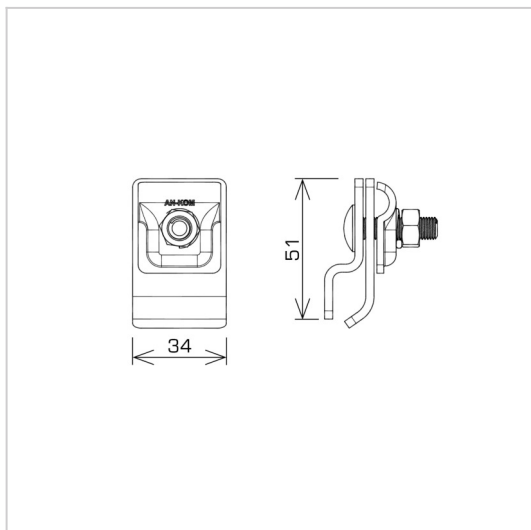


WERSJA MATERIAŁOWA:

hot galvanised steel

OPIS:

Installation of wires on roofs covered with seam sheet metal. The non-invasive assembly of the holder to the seam eliminates possible water leaks in the places of its assembly.



symbol typ	C192568 AN-06J/OG/
conductor(mm)	Ø8
wersja materiałowa	hot galvanised steel



AN-KOM 2 Sp. z o.o.
Inwałd, ul. ks. Władysława
Bukowińskiego 15
34-120 Andrychów



an-kom.pl
sales@an-kom.pl



tel./fax
+48 605 527 132