

HOLDERS FOR SHEET, FELT, SHINGLE twisted angle holder

C192584

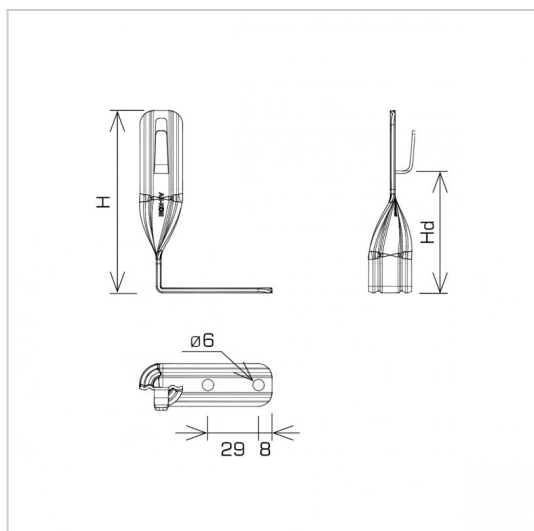


**WERSJA MATERIAŁOWA:**

hot galvanised steel

**OPIS:**

Holders for conducting the ground wire on the roofs of buildings covered with shingles, roofing felt, sheet metal.



symbol typ	<b>C192584</b> AN-09R/OG/-N
<b>H(mm)</b>	104
<b>Hd(mm)</b>	70
<b>conductor(mm)</b>	Ø8
<b>wersja materiałowa</b>	hot galvanised steel



AN-KOM 2 Sp. z o.o.  
Inwałd, ul. ks. Władysława  
Bukowińskiego 15  
34-120 Andrychów



an-kom.pl  
sales@an-kom.pl



tel./fax  
+48 605 527 132