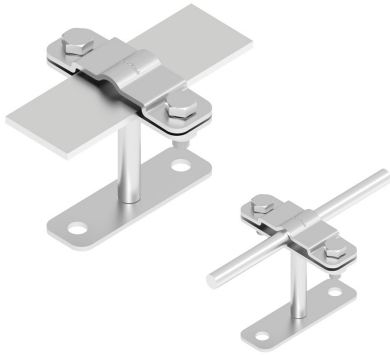


HOLDERS TAPE CONDUCTOR screw-down

C282136



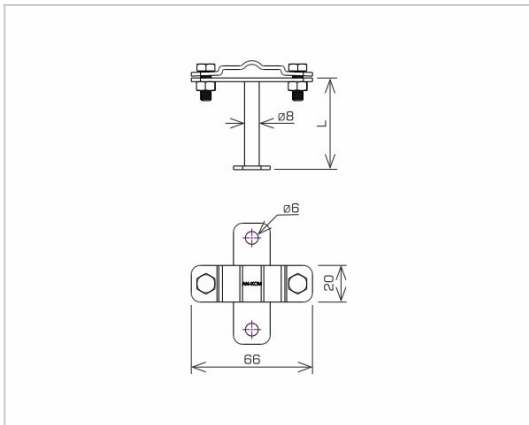
WERSJA MATERIAŁOWA:

stainless acid-resistant V4A steel

OPIS:

For routing flat conductors (tape conductor holder) without spacers on the wall or foundation. Mounting the holder to the ground with an expansion bolt.

*B - maximum width of the tape conductor holder



symbol typ	C282136 AN-11T-100/OH/
L(mm)	100
conductor(mm)	B* to 30 or Ø8
wersja materiałowa	stainless acid-resistant V4A steel



AN-KOM 2 Sp. z o.o.
Inwałd, ul. ks. Władysława
Bukowińskiego 15
34-120 Andrychów



an-kom.pl
sales@an-kom.pl



tel./fax
+48 605 527 132