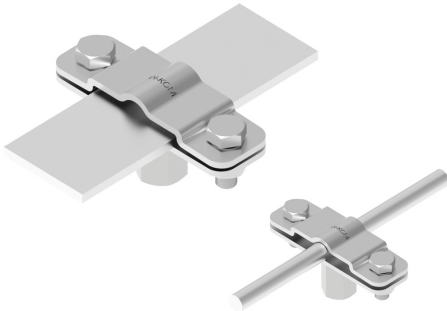


**HOLDERS TAPE CONDUCTOR screw-on**

**C282408**



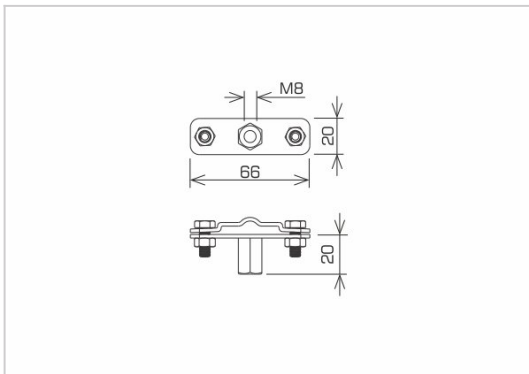
**WERSJA MATERIAŁOWA:**

stainless acid-resistant V4A steel

**OPIS:**

For routing flat conductors (tape conductor holder) along the wall or foundation. The handle ended with an M8 internal thread.

\*B - maximum tape conductor holder width



<b>symbol</b> typ	<b>C282408</b> AN-57/OH/
<b>conductor(mm)</b>	B* to 30 or Ø8
<b>wersja materiałowa</b>	stainless acid-resistant V4A steel



AN-KOM 2 Sp. z o.o.  
 Inwałd, ul. ks. Władysława  
 Bukowińskiego 15  
 34-120 Andrychów



an-kom.pl  
 sales@an-kom.pl



tel./fax  
 +48 605 527 132