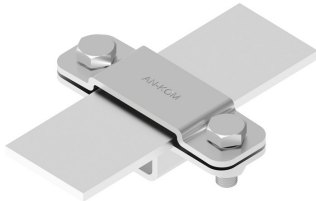


HOLDERS TAPE CONDUCTOR screw-down

C282456



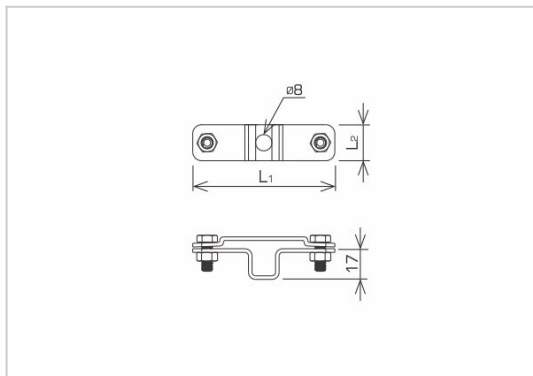
WERSJA MATERIAŁOWA:

stainless acid-resistant V4A steel

OPIS:

For routing flat conductors (tape conductor holder) without spacers on the wall or foundation. Mounting the holder to the ground with an expansion bolt.

*B - maximum width of the tape conductor holder



symbol	C282456
typ	AN-59/OH/
conductor(mm)	B* to 30
L1(mm)	66
L2(mm)	20
wersja materiałowa	stainless acid-resistant V4A steel



AN-KOM 2 Sp. z o.o.
 Inwałd, ul. ks. Władysława
 Bukowińskiego 15
 34-120 Andrychów



an-kom.pl
 sales@an-kom.pl



tel./fax
 +48 605 527 132