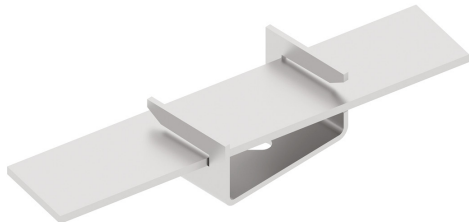


HOLDERS TAPE CONDUCTOR screw-down

C282460



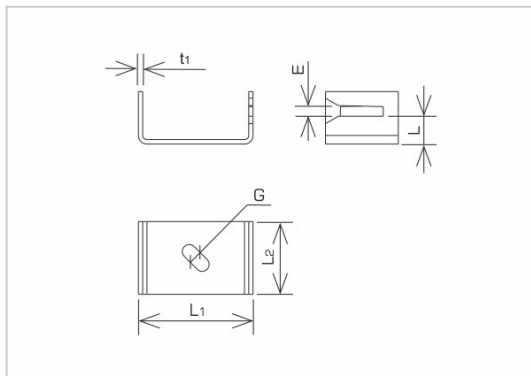
**WERSJA MATERIAŁOWA:**

stainless acid-resistant V4A steel

**OPIS:**

For routing flat conductors (tape conductor holder) without spacers on the wall or foundation. Mounting the holder to the ground with an expansion bolt.

\*B - maximum width of the tape conductor holder



<b>symbol</b>	<b>C282460</b>
typ	AN-59A/OH/
<b>conductor(mm)</b>	B* to 30
<b>L1 / L2(mm)</b>	54 / 34
<b>L(mm)</b>	13
<b>t1(mm)</b>	2
<b>E(mm)</b>	4
<b>G(mm)</b>	6
<b>wersja materiałowa</b>	stainless acid-resistant V4A steel



AN-KOM 2 Sp. z o.o.  
Inwałd, ul. ks. Władysława  
Bukowińskiego 15  
34-120 Andrychów



an-kom.pl  
sales@an-kom.pl



tel./fax  
+48 605 527 132