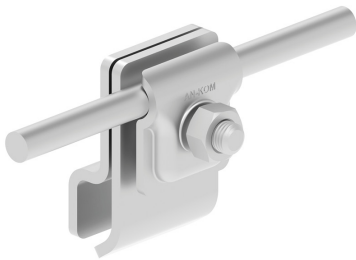


**HOLDERS FOR SHEET, FELT, SHINGLE standing seam holder**

**C282568**

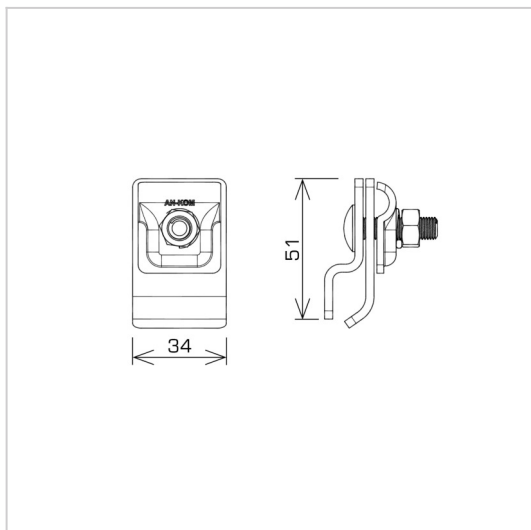


**WERSJA MATERIAŁOWA:**

stainless acid-resistant V4A steel

**OPIS:**

Installation of wires on roofs covered with seam sheet metal. The non-invasive assembly of the holder to the seam eliminates possible water leaks in the places of its assembly.



<b>symbol</b> typ	<b>C282568</b> AN-06J/OH/
<b>conductor(mm)</b>	Ø8
<b>wersja materiałowa</b>	stainless acid-resistant V4A steel



AN-KOM 2 Sp. z o.o.  
Inwałd, ul. ks. Władysława  
Bukowińskiego 15  
34-120 Andrychów



an-kom.pl  
sales@an-kom.pl



tel./fax  
+48 605 527 132