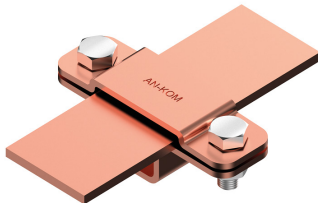


HOLDERS TAPE CONDUCTOR screw-down

C372464



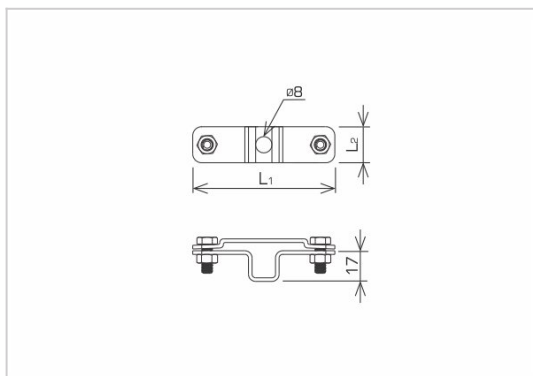
WERSJA MATERIAŁOWA:

copper

OPIS:

For routing flat conductors (tape conductor holder) without spacers on the wall or foundation. Mounting the holder to the ground with an expansion bolt.

*B - maximum width of the tape conductor holder



| | |
|---------------------------|----------------|
| symbol | C372464 |
| typ | AN-59C/CU/ |
| conductor(mm) | B* to 50 |
| L1(mm) | 92 |
| L2(mm) | 25 |
| wersja materiałowa | copper |



AN-KOM 2 Sp. z o.o.
 Inwałd, ul. ks. Władysława
 Bukowińskiego 15
 34-120 Andrychów



an-kom.pl
 sales@an-kom.pl



tel./fax
 +48 605 527 132