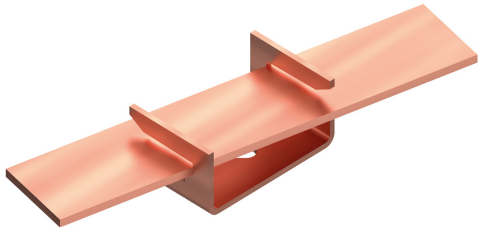


HOLDERS TAPE CONDUCTOR screw-down

C372468



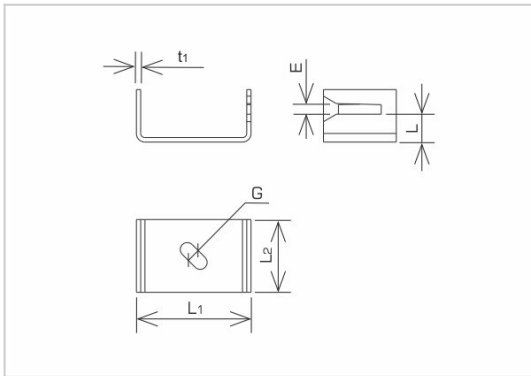
WERSJA MATERIAŁOWA:

copper

OPIS:

For routing flat conductors (tape conductor holder) without spacers on the wall or foundation. Mounting the holder to the ground with an expansion bolt.

*B - maximum width of the tape conductor holder



symbol	C372468
typ	AN-59D/CU/
conductor(mm)	B* to 50
L1 / L2(mm)	70 / 44
L(mm)	22
t1(mm)	3
E(mm)	5
G(mm)	8
wersja materiałowa	copper



AN-KOM 2 Sp. z o.o.
Inwałd, ul. ks. Władysława
Bukowińskiego 15
34-120 Andrychów



an-kom.pl
sales@an-kom.pl



tel./fax
+48 605 527 132