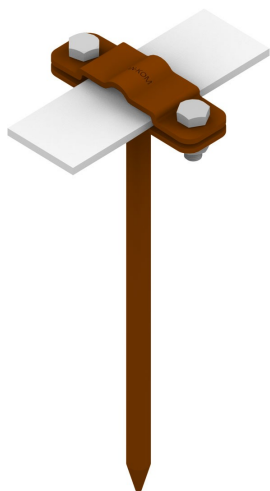


HOLDERS TAPE CONDUCTOR hammered

C462296



**WERSJA MATERIAŁOWA:**

painting

**OPIS:**

For routing flat conductors (tape conductor holder) along the wall or foundation. The holder designed for wooden constructions. Installation is done by hammering the handle into the ground.

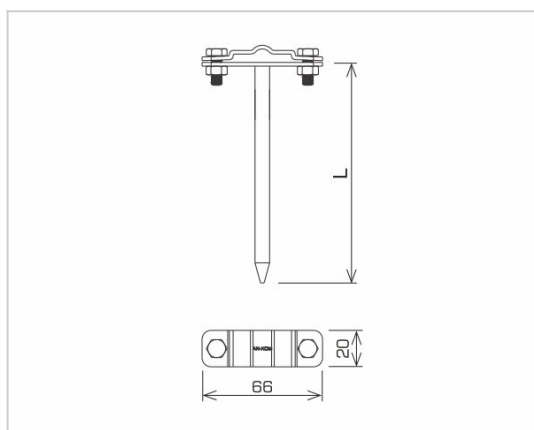
\*B - maximum tape conductor holder width

The holder is also used to mount the round conductor.

**AVAILABLE COLOURS:**

RAL 3011 - **red**, RAL 8017 - **dark brown**, RAL 7016 - **anthracite grey**, RAL 7026 - **granite grey**, RAL 8004 - **brown (brick colour)**, RAL 9005 - **black**

DOSTĘPNE W KOLORACH



<b>symbol</b> typ	<b>C462296</b> AN-35A/LA/
<b>L(mm)</b>	210
<b>conductor(mm)</b>	B* to 30 or Ø8
<b>wersja materiałowa</b>	painting



AN-KOM 2 Sp. z o.o.  
Inwałd, ul. ks. Władysława  
Bukowińskiego 15  
34-120 Andrychów



an-kom.pl  
sales@an-kom.pl



tel./fax  
+48 605 527 132