

HOLDERS ridge tile profiled

D193196

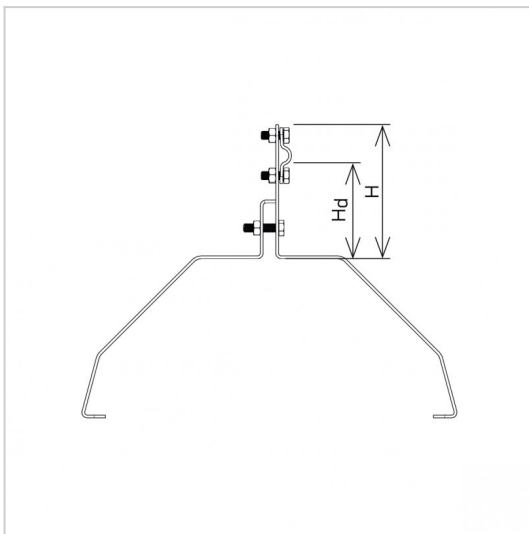


WERSJA MATERIAŁOWA:

hot galvanised steel

OPIS:

Profiled ridge tile holders are dedicated to specific ridge tiles. The selection of the holder is based on the name of the manufacturer and the ridge tile. In the case of a metal tile holder, the selection of the holder is based on the dimensions in the product data sheet.



| | |
|-------------------------------------|-------------------------------|
| symbol typ | D193196 AN-152A/OG/ |
| MANUFACTURER ridge tile name | ERLUS Gaşior nr 14, 17 |
| H(mm) | 96 |
| Hd(mm) | 70 |
| pattern | pattern 27 |
| cabale(mm) | Ø8 |
| wersja materiałowa | hot galvanised steel |



AN-KOM 2 Sp. z o.o.
 Inwałd, ul. ks. Władysława
 Bukowińskiego 15
 34-120 Andrychów



an-kom.pl
 sales@an-kom.pl



tel./fax
 +48 605 527 132