

**HOLDERS** ridge tile profiled

**D193212**

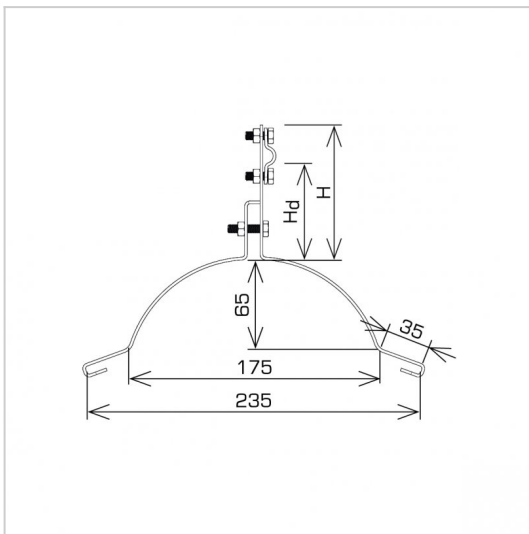


**WERSJA MATERIAŁOWA:**

hot galvanized steel

**OPIS:**

Profiled ridge tile holders are dedicated to specific ridge tiles. The selection of the holder is based on the name of the manufacturer and the ridge tile. In the case of a metal tile holder, the selection of the holder is based on the dimensions in the product data sheet.



|                                     |  |
|-------------------------------------|--|
| <b>symbol</b><br>typ                | <b>D193212</b><br>AN-152E/OG/                          |
| <b>MANUFACTURER</b> ridge tile name | STEEL TILE<br>(see the holder<br>in product datasheet) |
| <b>H(mm)</b>                        | 96   |
| <b>Hd(mm)</b>                       | 70   |
| <b>pattern</b>                      | pattern 31   |
| <b>cabale(mm)</b>                   | Ø8   |
| <b>wersja materiałowa</b>           | hot galvanized steel                                   |



AN-KOM 2 Sp. z o.o.  
Inwałd, ul. ks. Władysława  
Bukowińskiego 15  
34-120 Andrychów



an-kom.pl  
sales@an-kom.pl



tel./fax  
+48 605 527 132