

HOLDERS ridge tile profiled

D193312

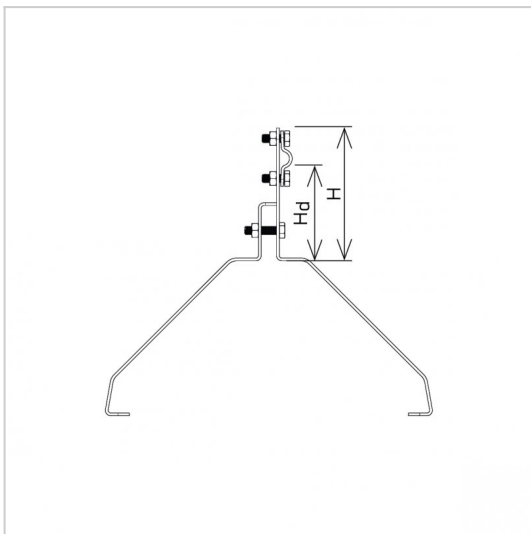


**WERSJA MATERIAŁOWA:**

hot galvanized steel

**OPIS:**

Profiled ridge tile holders are dedicated to specific ridge tiles. The selection of the holder is based on the name of the manufacturer and the ridge tile. In the case of a metal tile holder, the selection of the holder is based on the dimensions in the product data sheet.



<b>symbol</b> typ	<b>D193312</b> AN-151Z/OG/-N
<b>MANUFACTURER ridge tile name</b>	KORAMIC Ridge tile no 14
<b>H(mm)</b>	96
<b>Hd(mm)</b>	70
<b>pattern</b>	pattern 26
<b>cabale(mm)</b>	Ø8
<b>wersja materiałowa</b>	hot galvanized steel



AN-KOM 2 Sp. z o.o.  
Inwałd, ul. ks. Władysława  
Bukowińskiego 15  
34-120 Andrychów



an-kom.pl  
sales@an-kom.pl



tel./fax  
+48 605 527 132