

HOLDERS ridge tile profiled

D193328

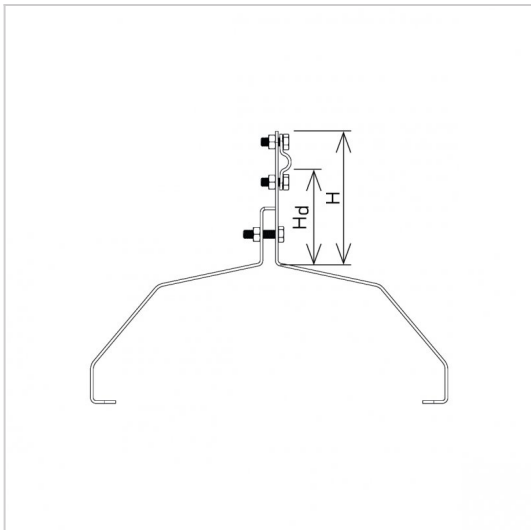


WERSJA MATERIAŁOWA:

hot galvanised steel

OPIS:

Profiled ridge tile holders are dedicated to specific ridge tiles. The selection of the holder is based on the name of the manufacturer and the ridge tile. In the case of a metal tile holder, the selection of the holder is based on the dimensions in the product data sheet.



| | |
|-------------------------------------|--|
| symbol typ | D193328 AN-151N/OG/-N |
| MANUFACTURER ridge tile name | MONIER/ BRAAS/ RUPP CERAMIKA Tegalit, Teviva (concrete) |
| H(mm) | 96 |
| Hd(mm) | 70 |
| pattern | pattern 18 |
| cabale(mm) | Ø8 |
| wersja materiałowa | hot galvanised steel |



AN-KOM 2 Sp. z o.o.
Inwałd, ul. ks. Władysława
Bukowińskiego 15
34-120 Andrychów



an-kom.pl
sales@an-kom.pl



tel./fax
+48 605 527 132