

**HOLDERS** ridge tile profiled

**D283164**

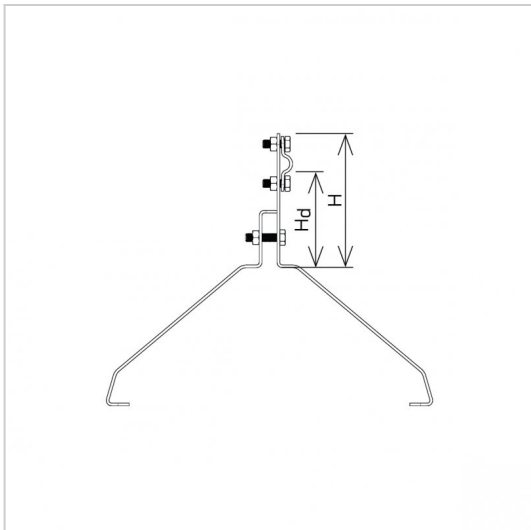


**WERSJA MATERIAŁOWA:**

stainless acid-resistant V4A steel

**OPIS:**

Profiled ridge tile holders are dedicated to specific ridge tiles. The selection of the holder is based on the name of the manufacturer and the ridge tile. In the case of a metal tile holder, the selection of the holder is based on the dimensions in the product data sheet.



<b>symbol</b> typ	<b>D283164</b> AN-1510/OH/
<b>MANUFACTURER</b> ridge tile name	KORAMIC Actua
<b>H(mm)</b>	96
<b>Hd(mm)</b>	70
<b>pattern</b>	pattern 19
<b>cabale(mm)</b>	Ø8
<b>wersja materiałowa</b>	stainless acid-resistant V4A steel



AN-KOM 2 Sp. z o.o.  
 Inwałd, ul. ks. Władysława  
 Bukowińskiego 15  
 34-120 Andrychów



an-kom.pl  
 sales@an-kom.pl



tel./fax  
 +48 605 527 132