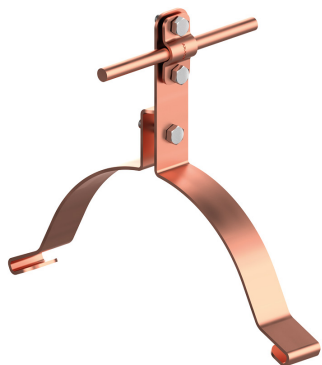


HOLDERS ridge tile profiled

D373184

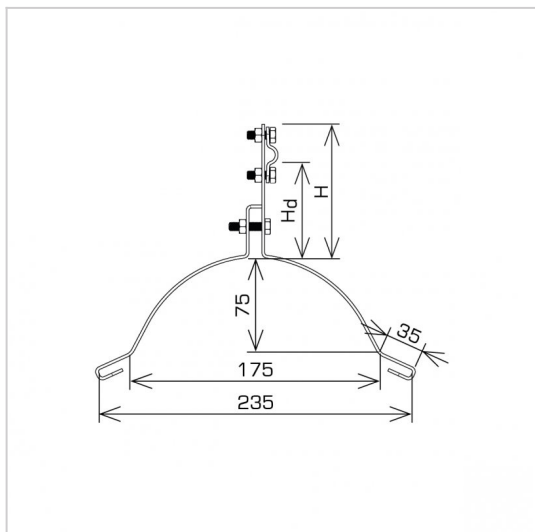


WERSJA MATERIAŁOWA:

copper

OPIS:

Profiled ridge tile holders are dedicated to specific ridge tiles. The selection of the holder is based on the name of the manufacturer and the ridge tile. In the case of a metal tile holder, the selection of the holder is based on the dimensions in the product data sheet.



| | |
|-------------------------------------|--------------------------------------------------------|
| symbol typ | D373184 AN-151U/CU/ |
| MANUFACTURER ridge tile name | STEEL TILE (see the holder in product datasheet) |
| H(mm) | 96 |
| Hd(mm) | 70 |
| pattern | pattern 24 |
| cabale(mm) | Ø8 |
| wersja materiałowa | copper |



AN-KOM 2 Sp. z o.o.
Inwałd, ul. ks. Władysława
Bukowińskiego 15
34-120 Andrychów



an-kom.pl
sales@an-kom.pl



tel./fax
+48 605 527 132