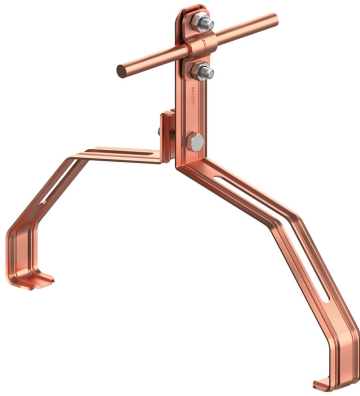


HOLDERS ridge tile profiled

D373328

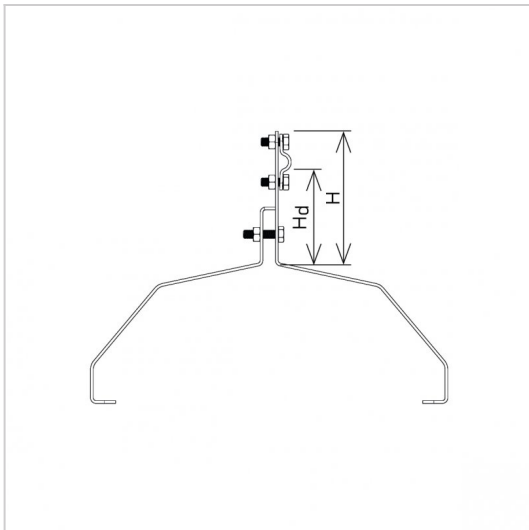


WERSJA MATERIAŁOWA:

copper

OPIS:

Profiled ridge tile holders are dedicated to specific ridge tiles. The selection of the holder is based on the name of the manufacturer and the ridge tile. In the case of a metal tile holder, the selection of the holder is based on the dimensions in the product data sheet.



symbol typ	D373328 AN-151N/CU/-N
MANUFACTURER ridge tile name	MONIER/ BRAAS/ RUPP CERAMIKA Tegalit, Teviva (concrete)
H(mm)	96
Hd(mm)	70
pattern	pattern 18
cabl(e)(mm)	Ø8
wersja materiałowa	copper



AN-KOM 2 Sp. z o.o.
 Inwałd, ul. ks. Władysława
 Bukowińskiego 15
 34-120 Andrychów



an-kom.pl
 sales@an-kom.pl



tel./fax
 +48 605 527 132