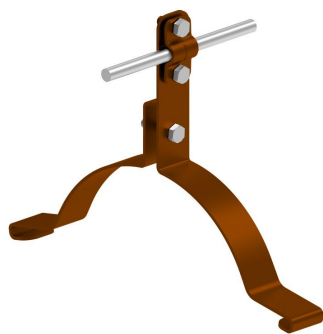


**HOLDERS** ridge tile profiled

**D463144**



DOSTĘPNE W KOLORACH



**WERSJA MATERIAŁOWA:**

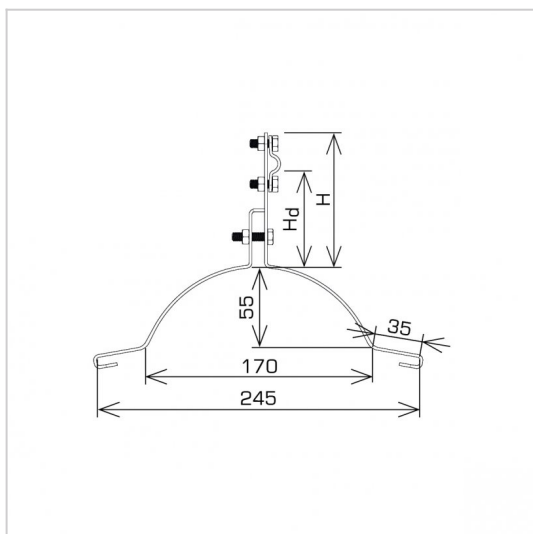
painted

**OPIS:**

Profiled ridge tile holders are dedicated to specific ridge tiles. The selection of the holder is based on the name of the manufacturer and the ridge tile. In the case of a metal tile holder, the selection of the holder is based on the dimensions in the product data sheet.

**AVAILABLE COLOURS:**

RAL 3011 - **red**, RAL 8017 - **dark brown**, RAL 7016 - **anthracite grey**, RAL 7026 - **granite grey**, RAL 8004 - **brown (brick colour)**, RAL 9005 - **black**



<b>symbol</b>	<b>D463144</b>
typ	AN-151H/LA/
<b>MANUFACTURER ridge tile name</b>	STEEL TILE (see the holder in product datasheet)
<b>H(mm)</b>	96
<b>Hd(mm)</b>	70
<b>pattern</b>	pattern no 14
<b>cablę(mm)</b>	Ø8
<b>wersja materiałowa</b>	painted



AN-KOM 2 Sp. z o.o.  
Inwałd, ul. ks. Władysława  
Bukowińskiego 15  
34-120 Andrychów



an-kom.pl  
sales@an-kom.pl



tel./fax  
+48 605 527 132