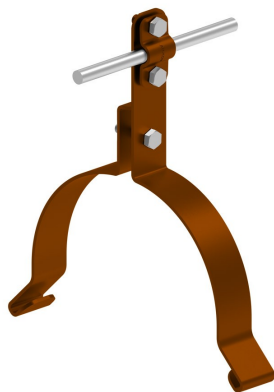


HOLDERS ridge tile profiled

D463200



DOSTĘPNE W KOLORACH



WERSJA MATERIAŁOWA:

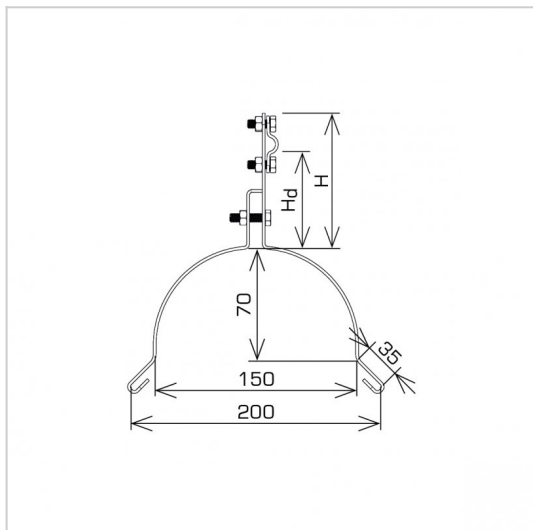
painted

OPIS:

Profiled ridge tile holders are dedicated to specific ridge tiles. The selection of the holder is based on the name of the manufacturer and the ridge tile. In the case of a metal tile holder, the selection of the holder is based on the dimensions in the product data sheet.

AVAILABLE COLOURS:

RAL 3011 - **red**, RAL 8017 - **dark brown**, RAL 7016 - **anthracite grey**, RAL 7026 - **granite grey**, RAL 8004 - **brown (brick colour)**, RAL 9005 - **black**



| | |
|-------------------------------------|--|
| symbol typ | D463200 AN-152B/LA/ |
| MANUFACTURER ridge tile name | STEEL TILE (see the holder in product datasheet) |
| H(mm) | 96 |
| Hd(mm) | 70 |
| pattern | pattern 28 |
| cabale(mm) | Ø8 |
| wersja materiałowa | painted |



AN-KOM 2 Sp. z o.o.
Inwałd, ul. ks. Władysława
Bukowińskiego 15
34-120 Andrychów



an-kom.pl
sales@an-kom.pl



tel./fax
+48 605 527 132