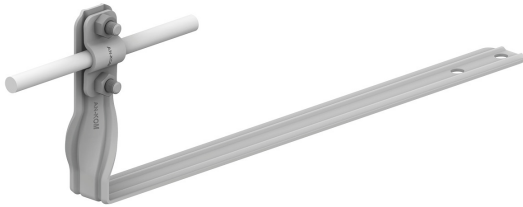


HOLDERS ROOF TILE universal twisted holder

E194636

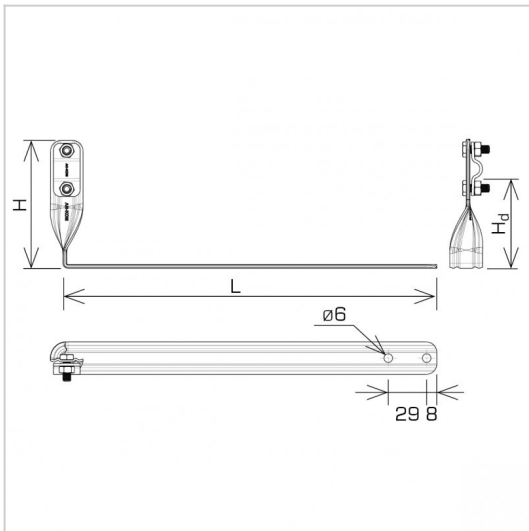


**WERSJA MATERIAŁOWA:**

hot galvanised steel

**OPIS:**

Tile holder - universal, twisted, used to build air terminals and lightning conductors on the roof along the tiles. The holder is mounted by screwing it to the batten through the mounting holes.



<b>symbol</b>	<b>E194636</b>
typ	AN-28A/OG/-N
<b>L(mm)</b>	280
<b>H(mm)</b>	96
<b>Hd(mm)</b>	70
<b>cable(mm)</b>	Ø8
<b>wersja materiałowa</b>	hot galvanised steel



AN-KOM 2 Sp. z o.o.  
Inwałd, ul. ks. Władysława  
Bukowińskiego 15  
34-120 Andrychów



an-kom.pl  
sales@an-kom.pl



tel./fax  
+48 605 527 132