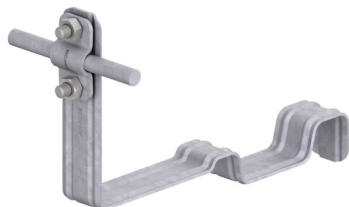


HOLDERS ROOF TILE profiled twisted and straight holders

E194808



WERSJA MATERIAŁOWA:

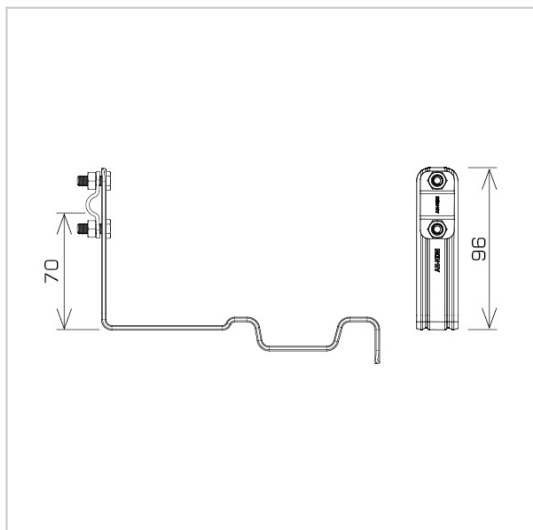
hot galvanised steel

OPIS:

Profiled twisted and straight tile holders are dedicated to a specific type of tile. They make it possible to lead the lightning conductor along or across the tile. Installation is carried out by inserting and fastening the holder between the tiles.

TWISTED - leading the cable along the tile

STRAIGHT - leading the cable across the tile



symbol typ	E194808 AN-26L/OG/-N
MANUFACTURER - tile type	CREATON - Simpla
pattern	pattern 34
cabl(e) (mm)	Ø8
holder type	straight
wersja materiałowa	hot galvanised steel



AN-KOM 2 Sp. z o.o.
Inwałd, ul. ks. Władysława
Bukowińskiego 15
34-120 Andrychów



an-kom.pl
sales@an-kom.pl



tel./fax
+48 605 527 132