

HOLDERS ROOF TILE adjustable twisted holder

E284596

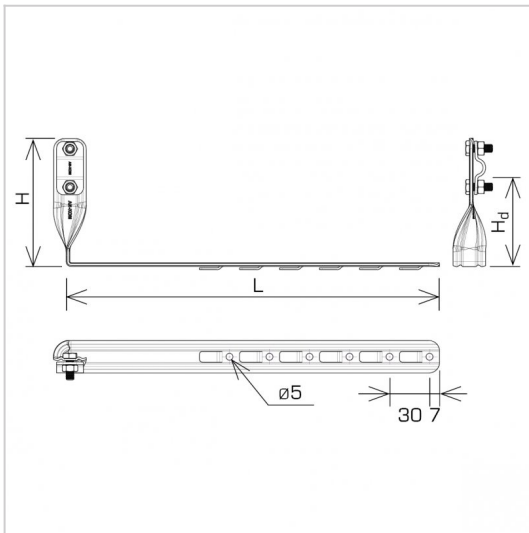


WERSJA MATERIAŁOWA:

stainless acid-resistant V4A steel

OPIS:

Tile holder - adjustable, twisted, used to build air terminals and lightning conductors on the roof across the tile. The holder is installed by bending the notch and inserting the holder between the tiles or screwing it to the batten with screws through the mounting holes.



symbol typ	E284596 AN-29K/OH/-N
L(mm)	420
H(mm)	116
Hd(mm)	90
cabl(mm)	Ø8
wersja materiałowa	stainless acid-resistant V4A steel



AN-KOM 2 Sp. z o.o.
Inwałd, ul. ks. Władysława
Bukowińskiego 15
34-120 Andrychów



an-kom.pl
sales@an-kom.pl



tel./fax
+48 605 527 132