

HOLDERS ROOF TILE universal twisted holder

E284620

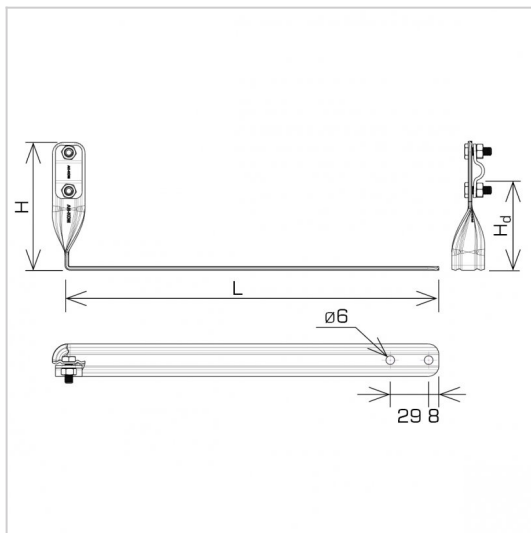


**WERSJA MATERIAŁOWA:**

stainless acid-resistant V4A steel

**OPIS:**

Tile holder - universal, twisted, used to build air terminals and lightning conductors on the roof along the tiles. The holder is mounted by screwing it to the batten through the mounting holes.



|                    |                                    |
|--------------------|------------------------------------|
| symbol             | <b>E284620</b>                     |
| typ                | AN-28/OH/-N                        |
| L(mm)              | 280                                |
| H(mm)              | 116                                |
| Hd(mm)             | 90                                 |
| cable(mm)          | Ø8                                 |
| wersja materiałowa | stainless acid-resistant V4A steel |



AN-KOM 2 Sp. z o.o.  
Inwałd, ul. ks. Władysława  
Bukowińskiego 15  
34-120 Andrychów



an-kom.pl  
sales@an-kom.pl



tel./fax  
+48 605 527 132