

HOLDERS ROOF TILE universal twisted holder

E284636

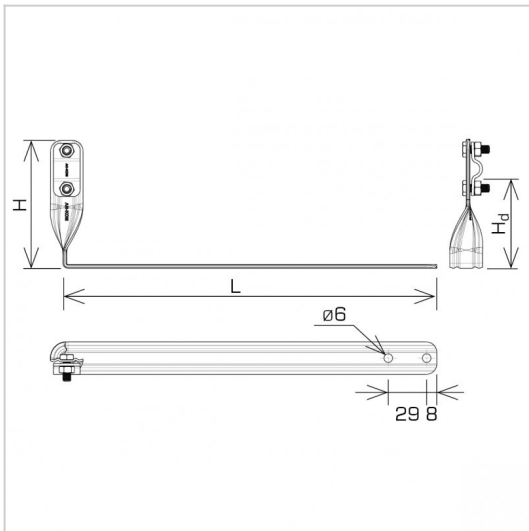


WERSJA MATERIAŁOWA:

stainless acid-resistant V4A steel

OPIS:

Tile holder - universal, twisted, used to build air terminals and lightning conductors on the roof along the tiles. The holder is mounted by screwing it to the batten through the mounting holes.



symbol	E284636
typ	AN-28A/OH/-N
L(mm)	280
H(mm)	96
Hd(mm)	70
cable(mm)	Ø8
wersja materiałowa	stainless acid-resistant V4A steel



AN-KOM 2 Sp. z o.o.
 Inwałd, ul. ks. Władysława
 Bukowińskiego 15
 34-120 Andrychów



an-kom.pl
 sales@an-kom.pl



tel./fax
 +48 605 527 132