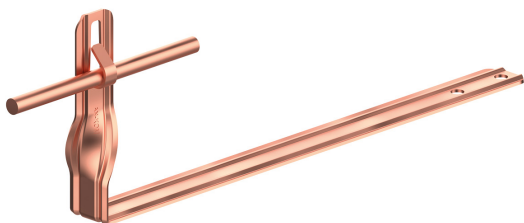


HOLDERS ROOF TILE universal twisted holder

E374540

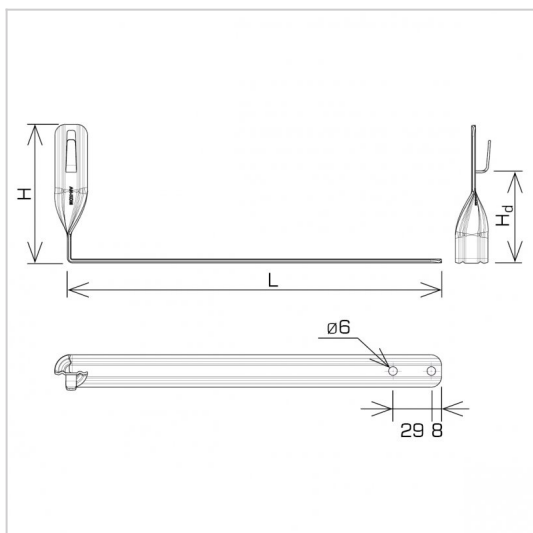


**WERSJA MATERIAŁOWA:**

copper

**OPIS:**

Tile holder - universal, twisted, used to build air terminals and lightning conductors on the roof along the tiles. The holder is mounted by screwing it to the batten through the mounting holes.



<b>symbol</b> typ	<b>E374540</b> AN-22A/CU/-N
<b>L(mm)</b>	280
<b>H(mm)</b>	104
<b>Hd(mm)</b>	70
<b>cabale(mm)</b>	Ø8
<b>wersja materiałowa</b>	copper



AN-KOM 2 Sp. z o.o.  
Inwałd, ul. ks. Władysława  
Bukowińskiego 15  
34-120 Andrychów



an-kom.pl  
sales@an-kom.pl



tel./fax  
+48 605 527 132