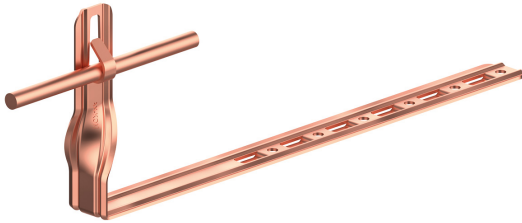


HOLDERS ROOF TILE adjustable twisted holder

E374548

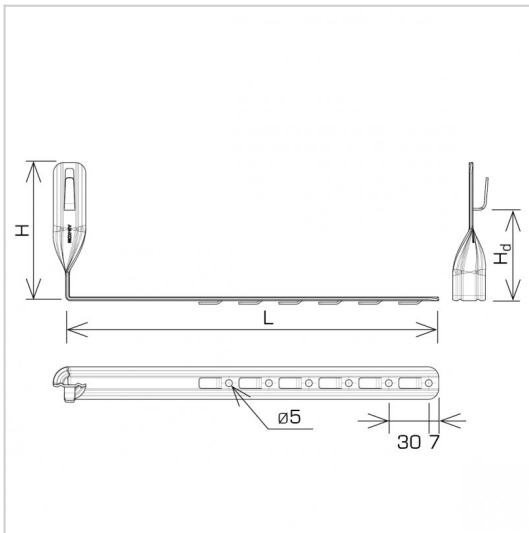


WERSJA MATERIAŁOWA:

copper

OPIS:

Tile holder - adjustable, twisted, used to build air terminals and lightning conductors on the roof across the tile. The holder is installed by bending the notch and inserting the holder between the tiles or screwing it to the batten with screws through the mounting holes.



symbol typ	E374548 AN-22KL/CU/-N
L(mm)	280
H(mm)	104
Hd(mm)	70
cabl(mm)	Ø8
wersja materiałowa	copper



AN-KOM 2 Sp. z o.o.
Inwałd, ul. ks. Władysława
Bukowińskiego 15
34-120 Andrychów



an-kom.pl
sales@an-kom.pl



tel./fax
+48 605 527 132