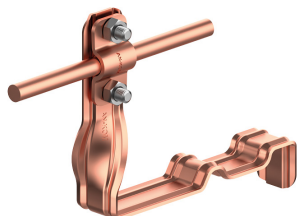


HOLDERS ROOF TILE profiled twisted and straight holders

E374768



WERSJA MATERIAŁOWA:

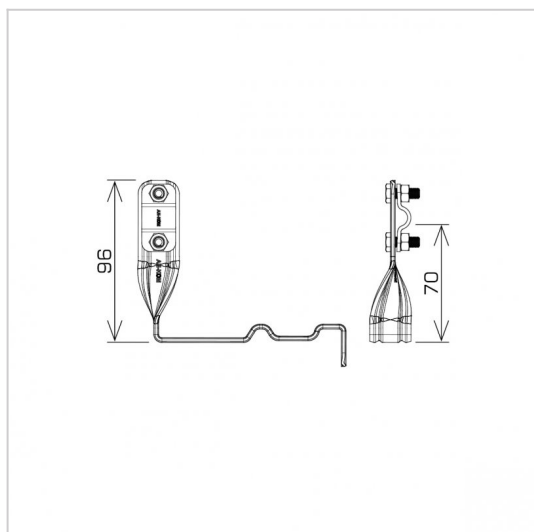
copper

OPIS:

Profiled twisted and straight tile holders are dedicated to a specific type of tile. They make it possible to lead the lightning conductor along or across the tile. Installation is carried out by inserting and fastening the holder between the tiles.

TWISTED - leading the cable along the tile

STRAIGHT - leading the cable across the tile



symbol typ	E374768 AN-27C/CU/-N
MANUFACTURER - tile type	ROBEN - Fleming
pattern	pattern 1
cabl(e)(mm)	Ø8
holder type	twisted
wersja materiałowa	copper



AN-KOM 2 Sp. z o.o.
 Inwałd, ul. ks. Władysława
 Bukowińskiego 15
 34-120 Andrychów



an-kom.pl
 sales@an-kom.pl



tel./fax
 +48 605 527 132