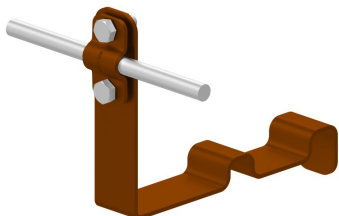


HOLDERS ROOF TILE profiled twisted and straight holders

E464284



DOSTĘPNE W KOLORACH



WERSJA MATERIAŁOWA:

painted

OPIS:

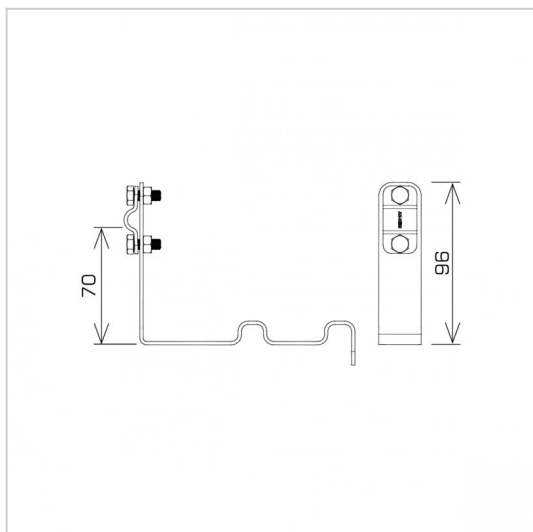
Profiled twisted and straight tile holders are dedicated to a specific type of tile. They make it possible to lead the lightning conductor along or across the tile. Installation is carried out by inserting and fastening the holder between the tiles.

TWISTED - leading the cable along the tile

STRAIGHT - leading the cable across the tile

AVAILABLE COLOURS:

RAL 3011 - **red**, RAL 8017 - **dark brown**, RAL 7016 - **anthracite grey**, RAL 7026 - **granite grey**, RAL 8004 - **brown (brick colour)**, RAL 9005 - **black**



symbol typ	E464284 AN-25P/LA/
MANUFACTURER - tile type	CREATON - Balance MEYER HOLSEN - Zwilling
pattern	pattern 18
cabl(e)mm	Ø8
holder type	straight
wersja materiałowa	painted



AN-KOM 2 Sp. z o.o.
 Inwałd, ul. ks. Władysława
 Bukowińskiego 15
 34-120 Andrychów



an-kom.pl
 sales@an-kom.pl



tel./fax
 +48 605 527 132