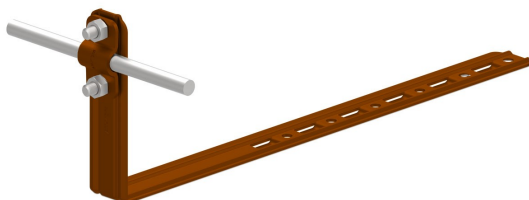


HOLDERS ROOF TILE adjustable straight holder

E464608



DOSTĘPNE W KOLORACH



WERSJA MATERIAŁOWA:

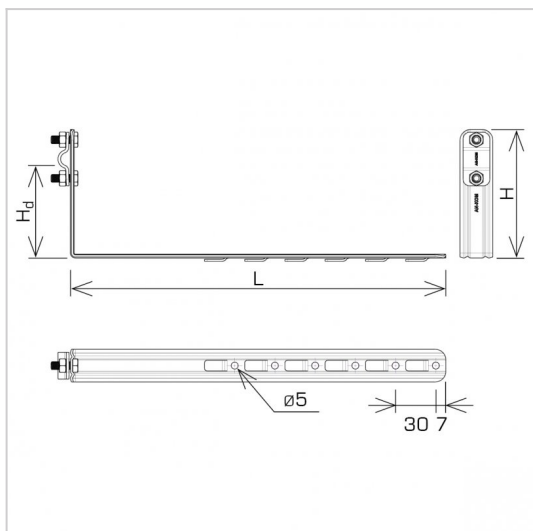
painted

OPIS:

Tile holder - adjustable, straight, used to build air terminals and lightning conductors on the roof across the tile. The holder is installed by bending the notch and inserting the holder between the tiles or screwing it to the batten with screws through the mounting holes.

AVAILABLE COLOURS:

RAL 3011 - **red**, RAL 8017 - **dark brown**, RAL 7016 - **anthracite grey**, RAL 7026 - **granite grey**, RAL 8004 - **brown (brick colour)**, RAL 9005 - **black**



symbol	E464608
typ	AN-26KL/LA/-N
L(mm)	420
H(mm)	104
Hd(mm)	70
cablę(mm)	Ø8
wersja materiałowa	painted



AN-KOM 2 Sp. z o.o.
 Inwałd, ul. ks. Władysława
 Bukowińskiego 15
 34-120 Andrychów



an-kom.pl
 sales@an-kom.pl



tel./fax
 +48 605 527 132