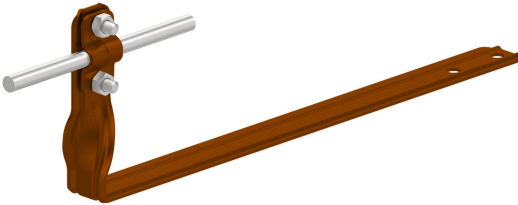


HOLDERS ROOF TILE universal twisted holder

E464620



DOSTĘPNE W KOLORACH



**WERSJA MATERIAŁOWA:**

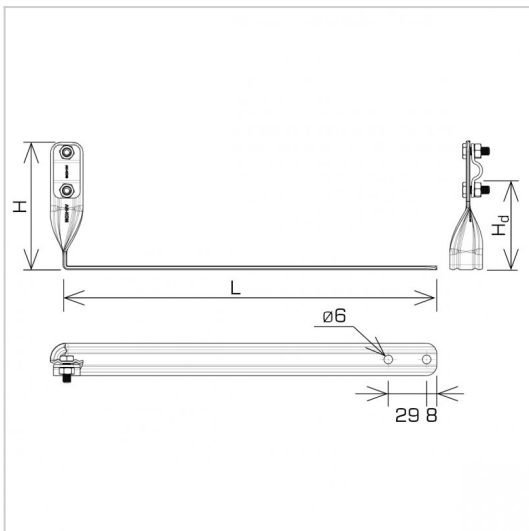
painted

**OPIS:**

Tile holder - universal, twisted, used to build air terminals and lightning conductors on the roof along the tiles. The holder is mounted by screwing it to the batten through the mounting holes.

**AVAILABLE COLOURS:**

RAL 3011 - **red**, RAL 8017 - **dark brown**, RAL 7016 - **anthracite grey**, RAL 7026 - **granite grey**, RAL 8004 - **brown (brick colour)**, RAL 9005 - **black**



<b>symbol</b>	<b>E464620</b>
typ	AN-28/LA/-N
<b>L(mm)</b>	280
<b>H(mm)</b>	116
<b>Hd(mm)</b>	90
<b>cablę(mm)</b>	Ø8
<b>wersja materiałowa</b>	painted



AN-KOM 2 Sp. z o.o.  
 Inwałd, ul. ks. Władysława  
 Bukowińskiego 15  
 34-120 Andrychów



an-kom.pl  
 sales@an-kom.pl



tel./fax  
 +48 605 527 132