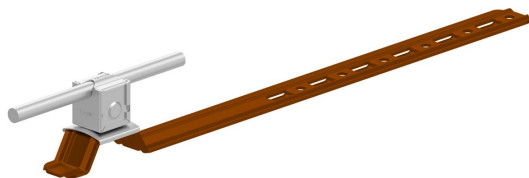


HOLDERS ROOF TILE EasyM universal holder

E464800



DOSTĘPNE W KOLORACH



**WERSJA MATERIAŁOWA:**

painted

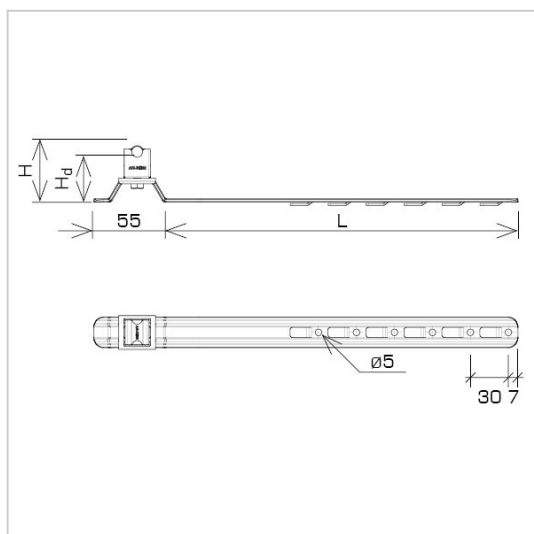
**OPIS:**

Tile holder - adjustable, used to build air terminals and lightning conductors on the roof along and across the tile. The holder is installed by bending the tooth and inserting the holder between the tiles or screwing it to the batten with screws through the mounting holes.

**Cable fixing made of stainless steel.**

**AVAILABLE COLOURS:**

RAL 3011 - **red**, RAL 8017 - **dark brown**, RAL 7016 - **anthracite grey**, RAL 7026 - **granite grey**, RAL 8004 - **brown (brick colour)**, RAL 9005 - **black**



<b>symbol</b> typ	<b>E464800</b> AN-21EM/LA/-N
<b>L(mm)</b>	280
<b>H(mm)</b>	48,5
<b>Hd(mm)</b>	36,5
<b>cabl(e)(mm)</b>	Ø8
<b>wersja materiałowa</b>	painted



AN-KOM 2 Sp. z o.o.  
Inwałd, ul. ks. Władysława  
Bukowińskiego 15  
34-120 Andrychów



an-kom.pl  
sales@an-kom.pl



tel./fax  
+48 605 527 132