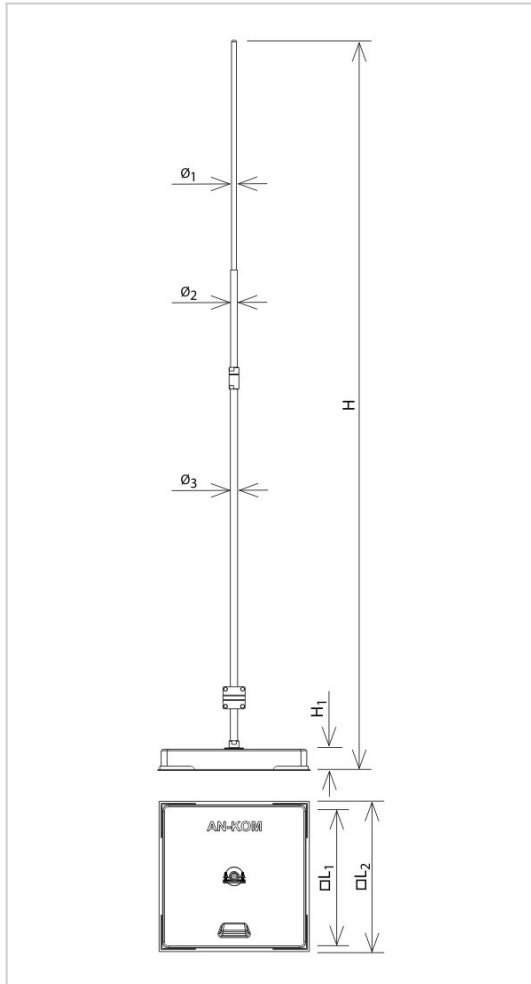


AIR TERMINATION RODS SINGLE MASTS single masts

H196020



**WERSJA MATERIAŁOWA:**

hot galvanised steel

**OPIS:**

They are used to protect devices exposed to direct lightning current. They do not require adhesive. They are always offered complete with accessories: PVC pad, base, spire, connector.

<b>symbol</b>	<b>H196020</b>
typ	AN-80C/OG/
<b>H(mm)</b>	2000
<b>base weight(kg)</b>	15
<b><math>\varnothing 1 / \varnothing 2 / \varnothing 3</math>(mm)</b>	10 / 16 / ---
<b>wind resistance(km/h)</b>	144
<b>conductor(mm)</b>	$\varnothing 8$
<b>H1 / L1 / L2(mm)</b>	55 / 350 / 380
<b>wersja materiałowa</b>	hot galvanised steel



AN-KOM 2 Sp. z o.o.  
Inwałd, ul. ks. Władysława  
Bukowińskiego 15  
34-120 Andrychów



an-kom.pl  
sales@an-kom.pl



tel./fax  
+48 605 527 132