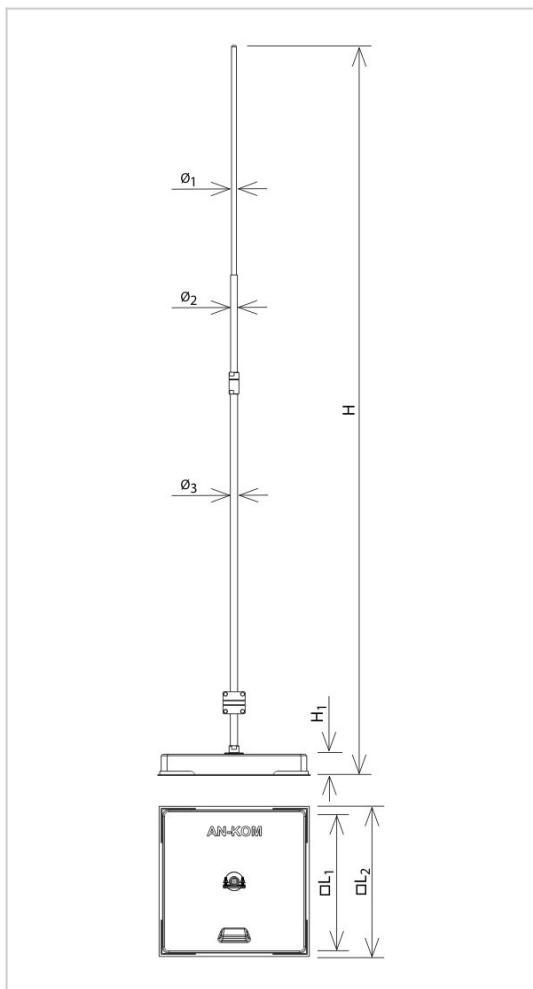


AIR TERMINATION RODS SINGLE MASTS single masts

H196028



WERSJA MATERIAŁOWA:

hot galvanised steel

OPIS:

They are used to protect devices exposed to direct lightning current. They do not require adhesive. They are always offered complete with accessories: PVC pad, base, spire, connector.

symbol	H196028
typ	AN-80D/OG/
H(mm)	2000
base weight(kg)	36
$\varnothing_1 / \varnothing_2 / \varnothing_3$(mm)	16 / --- / ---
wind resistance(km/h)	229
conductor(mm)	$\varnothing 8$
H1 / L1 / L2(mm)	70 / 500 / 530
wersja materiałowa	hot galvanised steel



AN-KOM 2 Sp. z o.o.
Inwałd, ul. ks. Władysława
Bukowińskiego 15
34-120 Andrychów



an-kom.pl
sales@an-kom.pl



tel./fax
+48 605 527 132