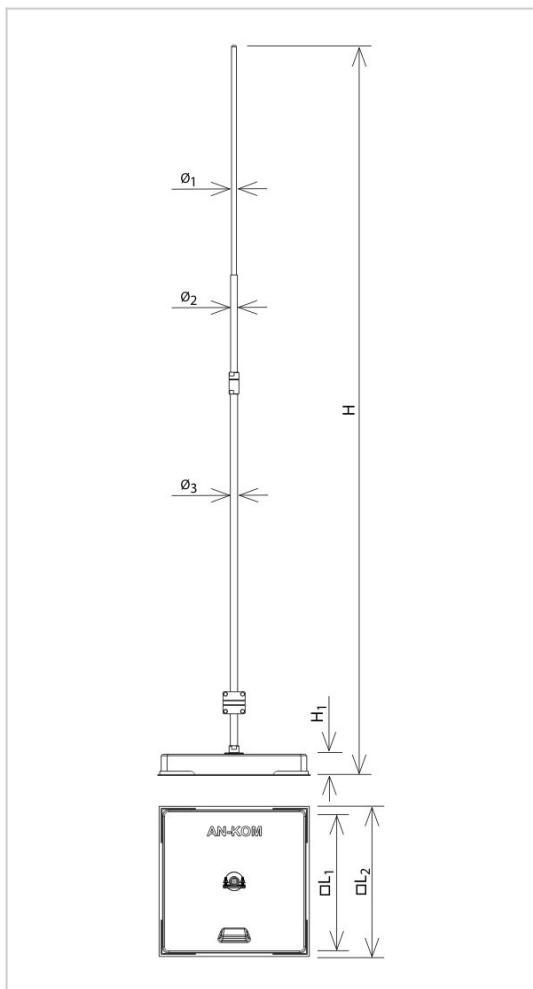


AIR TERMINATION RODS SINGLE MASTS single masts

H196044



**WERSJA MATERIAŁOWA:**

hot galvanised steel

**OPIS:**

They are used to protect devices exposed to direct lightning current. They do not require adhesive. They are always offered complete with accessories: PVC pad, base, spire, connector.

<b>symbol</b>	<b>H196044</b>
typ	AN-80F/OG/
<b>H(mm)</b>	3000
<b>base weight(kg)</b>	36
<b>Ø1 / Ø2 / Ø3(mm)</b>	10 / 16 / 18
<b>wind resistance(km/h)</b>	166
<b>conductor(mm)</b>	Ø8
<b>H1 / L1 / L2(mm)</b>	70 / 500 / 530
<b>wersja materiałowa</b>	hot galvanised steel



AN-KOM 2 Sp. z o.o.  
Inwałd, ul. ks. Władysława  
Bukowińskiego 15  
34-120 Andrychów



an-kom.pl  
sales@an-kom.pl



tel./fax  
+48 605 527 132