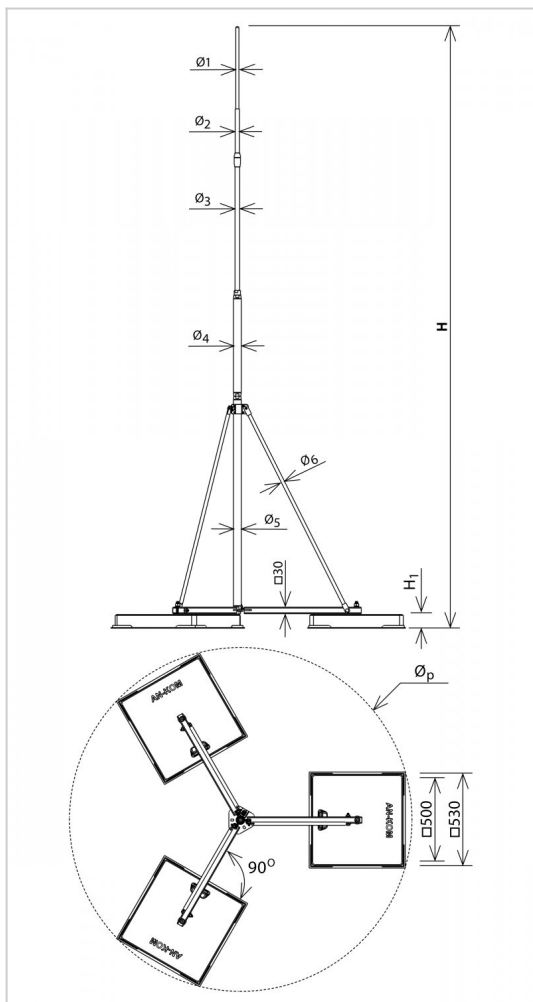


AIR TERMINATION RODS TRIPOD MASTS tripod masts

H196124



WERSJA MATERIAŁOWA:

hot galvanised steel

OPIS:

Free-standing lightning masts on a triple base (tripod) create a protected space. They do not require adhesive. Offered complete with accessories: PVC pads for concrete weights, weights, supports, spire, connector for connecting the mast to the air-termination grid.

conductor dimension (mm): **Ø8 - Ø10**

symbol typ	H196124 AN-81B/OG/
H(mm)	4000
base weight(kg)	3 x 36
wind resistance(km/h)	240
Ø1 / Ø2 / Ø3 / Ø4 / Ø5 / Ø6(mm)	10 / 16 / --- / --- / 33,7 / 12
Øp(mm)	1950
H1(mm)	70
wersja materiałowa	hot galvanised steel



AN-KOM 2 Sp. z o.o.
 Inwałd, ul. ks. Władysława
 Bukowińskiego 15
 34-120 Andrychów



an-kom.pl
 sales@an-kom.pl



tel./fax
 +48 605 527 132