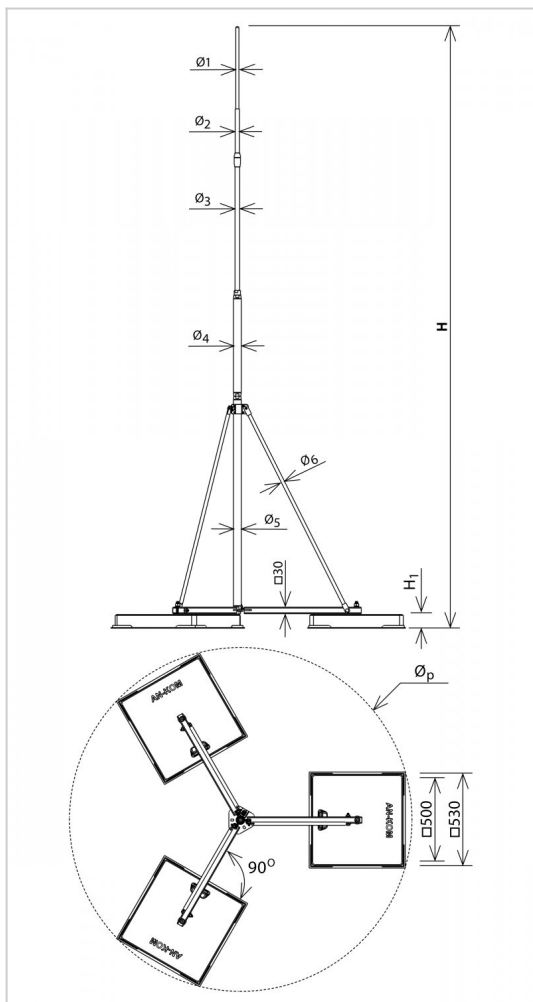


AIR TERMINATION RODS TRIPOD MASTS tripod masts

H196128



WERSJA MATERIAŁOWA:

hot galvanised steel

OPIS:

Free-standing lightning masts on a triple base (tripod) create a protected space. They do not require adhesive. Offered complete with accessories: PVC pads for concrete weights, weights, supports, spire, connector for connecting the mast to the air-termination grid.

conductor dimension (mm): **Ø8 - Ø10**

| | |
|--|----------------------------------|
| symbol typ | H196128 AN-81C/OG/ |
| H(mm) | 5000 |
| base weight(kg) | 3 x 36 |
| wind resistance(km/h) | 178 |
| Ø1 / Ø2 / Ø3 / Ø4 / Ø5 / Ø6(mm) | 10 / 16 / --- / 33,7 / 33,7 / 12 |
| Øp(mm) | 1950 |
| H1(mm) | 70 |
| wersja materiałowa | hot galvanised steel |



AN-KOM 2 Sp. z o.o.
Inwałd, ul. ks. Władysława
Bukowińskiego 15
34-120 Andrychów



an-kom.pl
sales@an-kom.pl



tel./fax
+48 605 527 132