

AIR TERMINATION RODS TRIPOD MASTS tripod masts

H196132



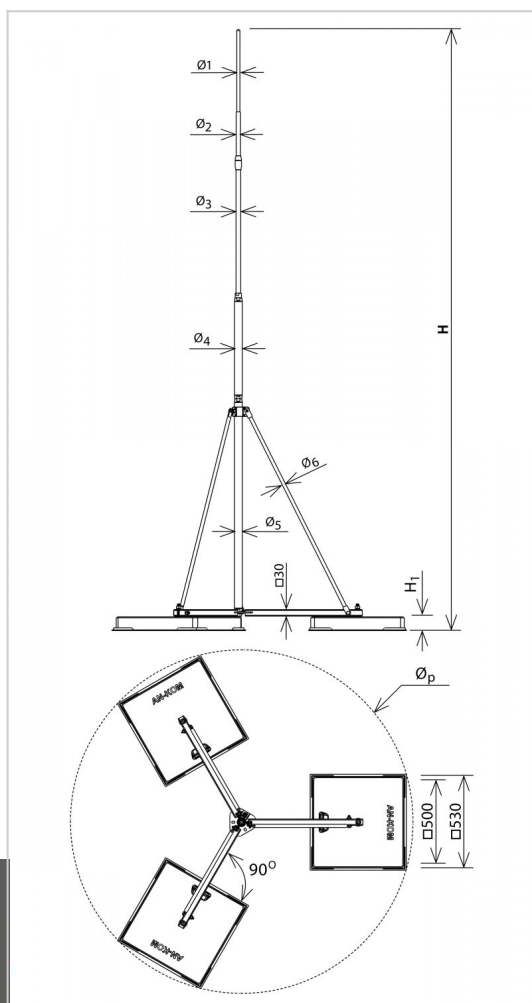
WERSJA MATERIAŁOWA:

hot galvanised steel

OPIS:

Free-standing lightning masts on a triple base (tripod) create a protected space. They do not require adhesive. Offered complete with accessories: PVC pads for concrete weights, weights, supports, spire, connector for connecting the mast to the air-termination grid.

conductor dimension (mm): **Ø8 - Ø10**



symbol	H196132
typ	AN-81D/OG/
H(mm)	6000
base weight(kg)	3 x 36
wind resistance(km/h)	155
Ø1 / Ø2 / Ø3 / Ø4 / Ø5 / Ø6(mm)	10 / 16 / --- / 33,7 / 33,7 / 12
Øp(mm)	1950
H1(mm)	70
wersja materiałowa	hot galvanised steel

