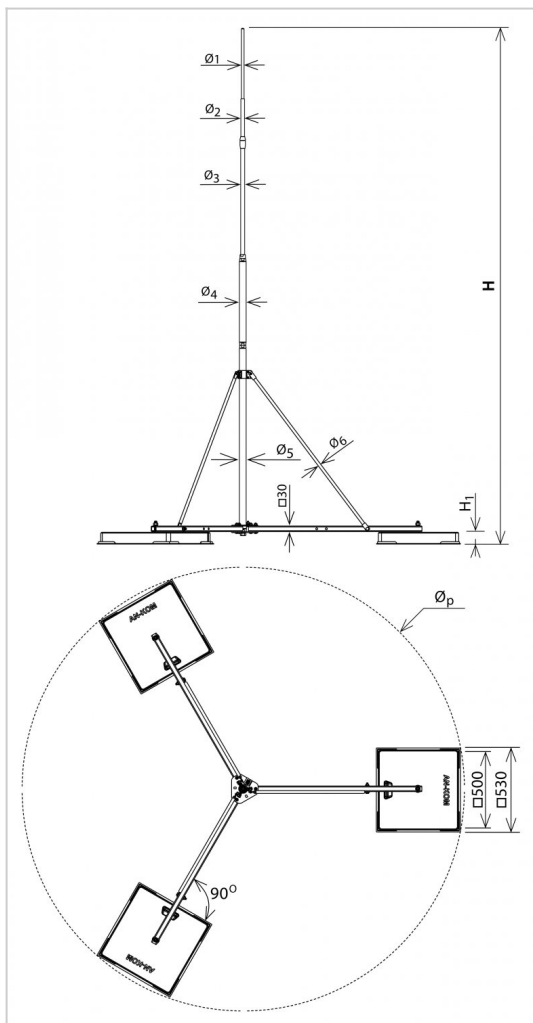


AIR TERMINATION RODS TRIPOD MASTS tripod masts

H196136



WERSJA MATERIAŁOWA:

hot galvanised steel

OPIS:

Free-standing lightning masts on a triple base (tripod) create a protected space. They do not require adhesive. Offered complete with accessories: PVC pads for concrete weights, weights, supports, spire, connector for connecting the mast to the air-termination grid.

conductor dimension (mm): **Ø8 - Ø10**

symbol typ	H196136 AN-81E/OG/
H(mm)	7000
base weight(kg)	3 x 36
wind resistance(km/h)	175
Ø1 / Ø2 / Ø3 / Ø4 / Ø5 / Ø6(mm)	10 / 16 / --- / 33,7 / 33,7 / 16
Øp(mm)	3380
H1(mm)	70
wersja materiałowa	hot galvanised steel



AN-KOM 2 Sp. z o.o.
Inwałd, ul. ks. Władysława
Bukowińskiego 15
34-120 Andrychów



an-kom.pl
sales@an-kom.pl



tel./fax
+48 605 527 132