

AIR TERMINATION RODS TRIPOD MASTS tripod masts

H196140



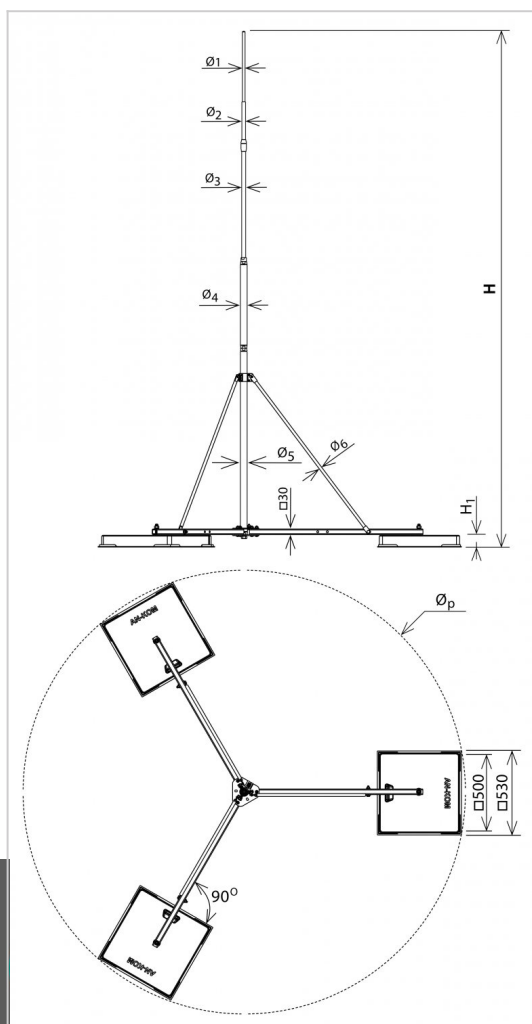
**WERSJA MATERIAŁOWA:**

hot galvanised steel

**OPIS:**

Free-standing lightning masts on a triple base (tripod) create a protected space. They do not require adhesive. Offered complete with accessories: PVC pads for concrete weights, weights, supports, spire, connector for connecting the mast to the air-termination grid.

conductor dimension (mm): **Ø8 - Ø10**



symbol	<b>H196140</b>
typ	AN-81F/OG/
H(mm)	8000
base weight(kg)	3 x 51
wind resistance(km/h)	162
Ø1 / Ø2 / Ø3 / Ø4 / Ø5 / Ø6(mm)	10 / 16 / 18 / --- / 42,4 / 16
Øp(mm)	3380
H1(mm)	125
wersja materiałowa	hot galvanised steel

