

AIR TERMINATION RODS TRIPOD MASTS tripod masts

H196144

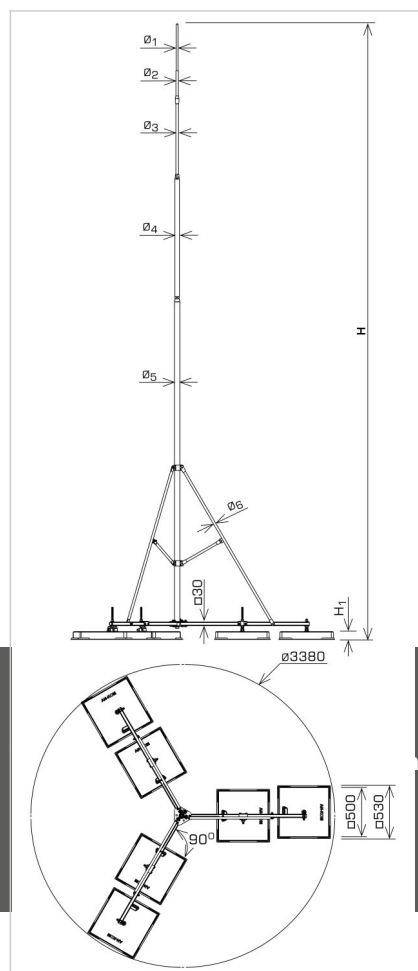


WERSJA MATERIAŁOWA:

hot galvanised steel

OPIS:

Free-standing lightning protection masts on a triple base (tripod) create a protected space. They do not require adhesive. Offered complete with accessories: PVC pads for concrete bottoms, bottoms, supports, spire, connector for connecting the mast to the air-termination grid.



symbol	H196144
typ	AN-81G/OG/
H(mm)	9 000
base weight(kg)	3 x 72
wind resistance(km/h)	170
Ø1 / Ø2 / Ø3 / Ø4 / Ø5 / Ø6(mm)	10 / 16 / --- / 33,7 / 42,4 / 18
conductor weight(mm)	Ø8
H1(mm)	70
wersja materiałowa	hot galvanised steel



an-kom.pl
sales@an-kom.pl



tel./fax
+48 605 527 132