

AIR TERMINATION RODS TRIPOD MASTS tripod masts

H196148

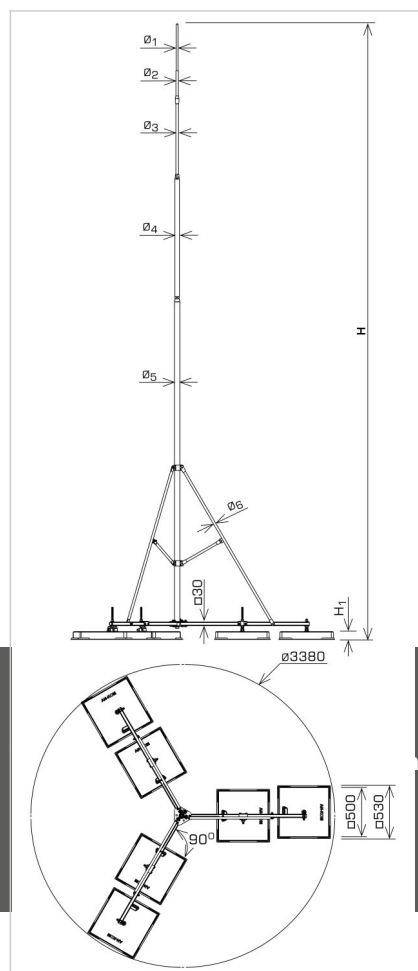


**WERSJA MATERIAŁOWA:**

hot galvanised steel

**OPIS:**

Free-standing lightning protection masts on a triple base (tripod) create a protected space. They do not require adhesive. Offered complete with accessories: PVC pads for concrete bottoms, bottoms, supports, spire, connector for connecting the mast to the air-termination grid.



<b>symbol</b>	<b>H196148</b>
typ	AN-81H/OG/
<b>H(mm)</b>	10 000
<b>base weight(kg)</b>	3 x 72
<b>wind resistance(km/h)</b>	152
<b>Ø1 / Ø2 / Ø3 / Ø4 / Ø5 / Ø6(mm)</b>	10 / 16 / 18 / 33,7 / 42,4 / 18
<b>conductor weight(mm)</b>	Ø8
<b>H1(mm)</b>	70
<b>wersja materiałowa</b>	hot galvanised steel



an-kom.pl  
sales@an-kom.pl



tel./fax  
+48 605 527 132