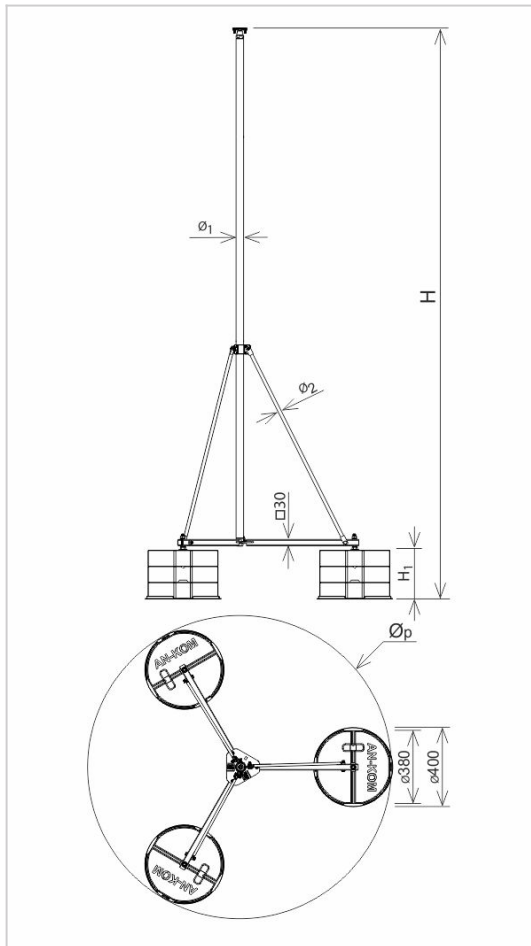


AIR TERMINATION RODS MESH CAGE MASTS mesh cage masts

H196168



**WERSJA MATERIAŁOWA:**

hot galvanised steel

**OPIS:**

Free-standing mesh cage mast on a triple base (tripod). It is used to build horizontal air terminals (protective cages).

Line span between two masts of the same construction: up to 10m.

<b>symbol</b> typ	<b>H196168</b> AN-82C/OG/
<b>H(mm)</b>	5000
<b>base weight(kg)</b>	3 x 36
<b><math>\varnothing_1 / \varnothing_2 / \varnothing_3 / \varnothing_4</math>(mm)</b>	33,7 / 33,7 / --- / 16
<b>wind resistance(km/h)</b>	138
<b>conductor(mm)</b>	$\varnothing_8$
<b>H1(mm)</b>	70
<b>wersja materiałowa</b>	hot galvanised steel



AN-KOM 2 Sp. z o.o.  
Inwałd, ul. ks. Władysława  
Bukowińskiego 15  
34-120 Andrychów



an-kom.pl  
sales@an-kom.pl



tel./fax  
+48 605 527 132