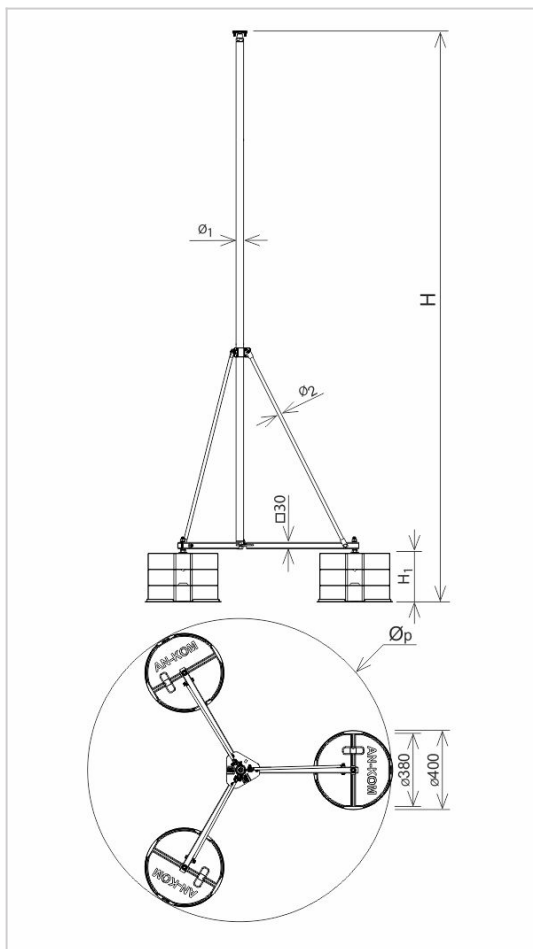


AIR TERMINATION RODS MESH CAGE MASTS mesh cage masts

H196172



WERSJA MATERIAŁOWA:

hot galvanised steel

OPIS:

Free-standing mesh cage mast on a triple base (tripod). It is used to build horizontal air terminals (protective cages).

Line span between two masts of the same construction: up to 10m.

symbol typ	H196172 AN-82D/OG/
H(mm)	6000
base weight(kg)	3 x 51
$\varnothing_1 / \varnothing_2 / \varnothing_3 / \varnothing_4$(mm)	42,4 / --- / --- / 16
wind resistance(km/h)	120
conductor(mm)	\varnothing_8
H1(mm)	125
wersja materiałowa	hot galvanised steel



AN-KOM 2 Sp. z o.o.
Inwałd, ul. ks. Władysława
Bukowińskiego 15
34-120 Andrychów



an-kom.pl
sales@an-kom.pl



tel./fax
+48 605 527 132